

Radio - Premium Sound System, Satellite Radio,

from November 2004

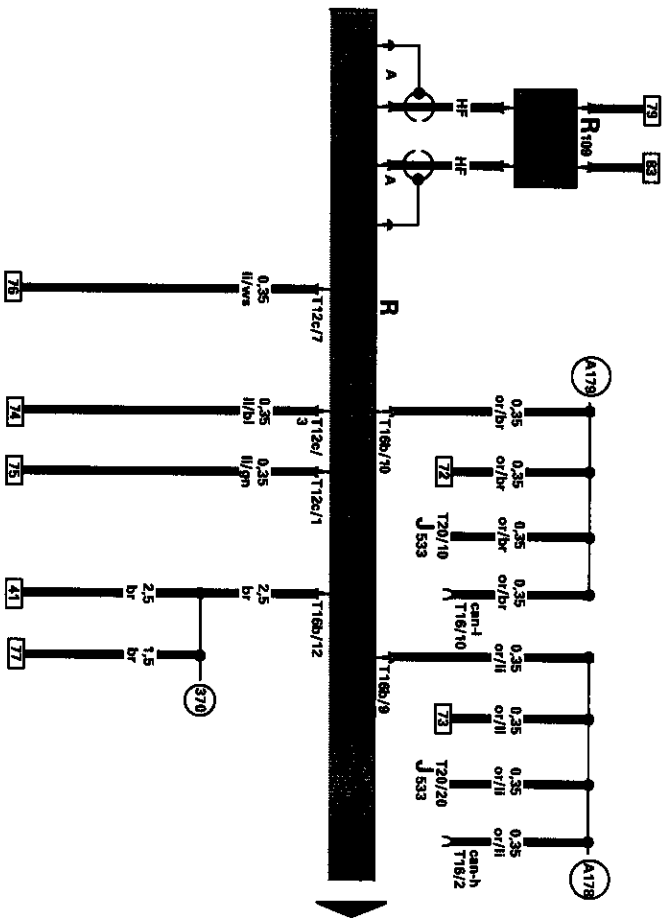
Notes:

Information for

- ◆ *Relay and Fuse arrangements*
 - ◆ *Connector arrangements*
 - ◆ *Control Modules and Relays*
 - ◆ *Ground Connections*
- ⇒ *Component Locations*

Information for

- ◆ *Troubleshooting procedures*
- ⇒ *Guided Fault Finding using VAS 5051/5052*



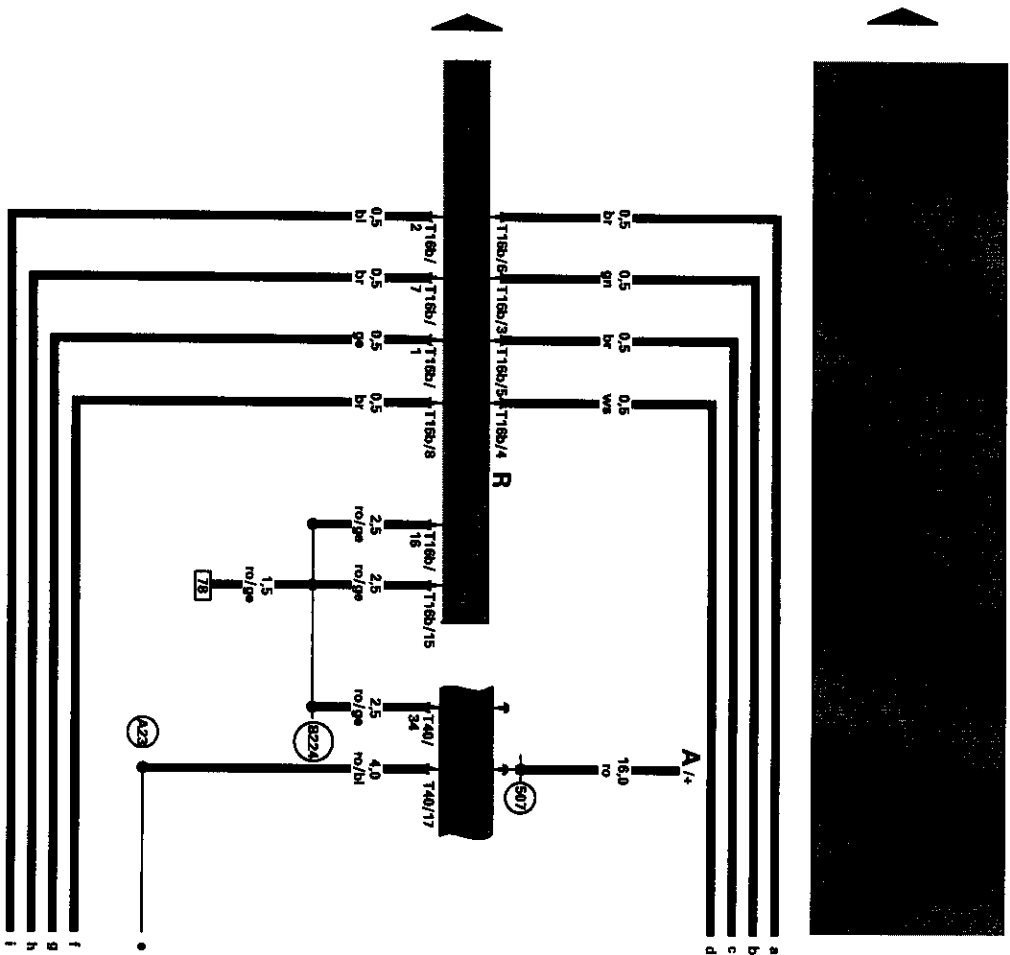
Radio, Antenna

- J519 - Vehicle Electrical System Control Module
- J533 - Data Bus On Board Diagnostic Interface
- R - Radio
- R109 - Right Antenna Module
- T12c - 12-Pin Connector
- T16 - 16-pin connector, Data Link Connector (DLC), below steering column, left
- T16b - 16-Pin Connector
- T20 - 20-Pin Connector
- (370) - Ground Connection 5 (in main wiring harness)
- (A178) - Infotainment High-Bus Connection (in instrument panel wiring harness)
- (A179) - Infotainment Lo-bus Connection (in instrument panel wiring harness)

1 2 3 4 5 6 7 8 9 10 11 12 13 14

97-63588

- ws = white
- sw = black
- ro = red
- br = brown
- gn = green
- bl = blue
- gr = grey
- li = violet
- ge = yellow
- or = orange

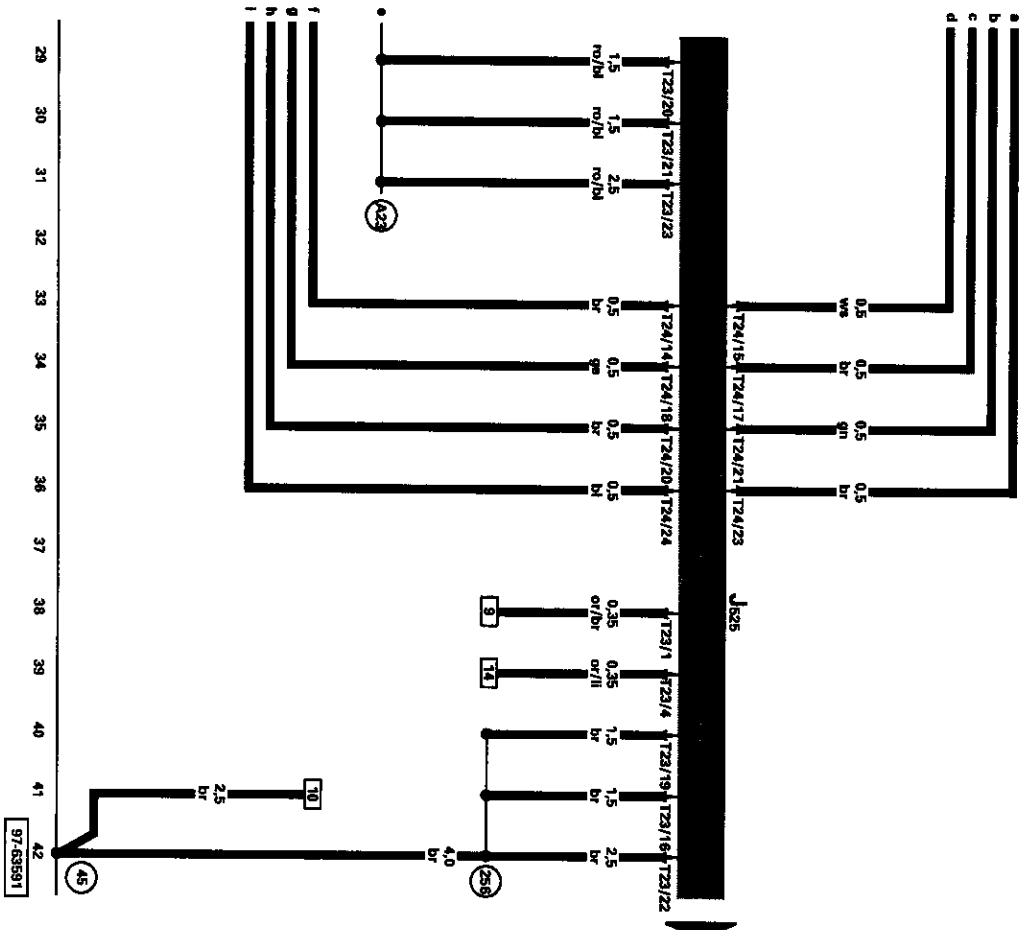


Radio

- A - Battery
- J519 - Vehicle Electrical System Control Module
- R - Radio
- SB18 - Fuse 18 (in fuse panel)
- SB19 - Fuse 19 (in fuse panel)
- T18b - 16-Pin Connector
- T40 - 40-Pin Connector
- 507 - Threaded Connection (30) (on relay holder/battery)
- A23 - Connection (30all), in instrument panel wiring harness
- B224 - Connection 1 (Radio) (interior wiring harness)

- ws = white
- sw = black
- ro = red
- br = brown
- gn = green
- bl = blue
- gr = grey
- ll = violet
- ge = yellow
- or = orange

15 16 17 18 19 20 21 22 23 24 25 26 27 28 97-83880



Digital Sound System Control Module

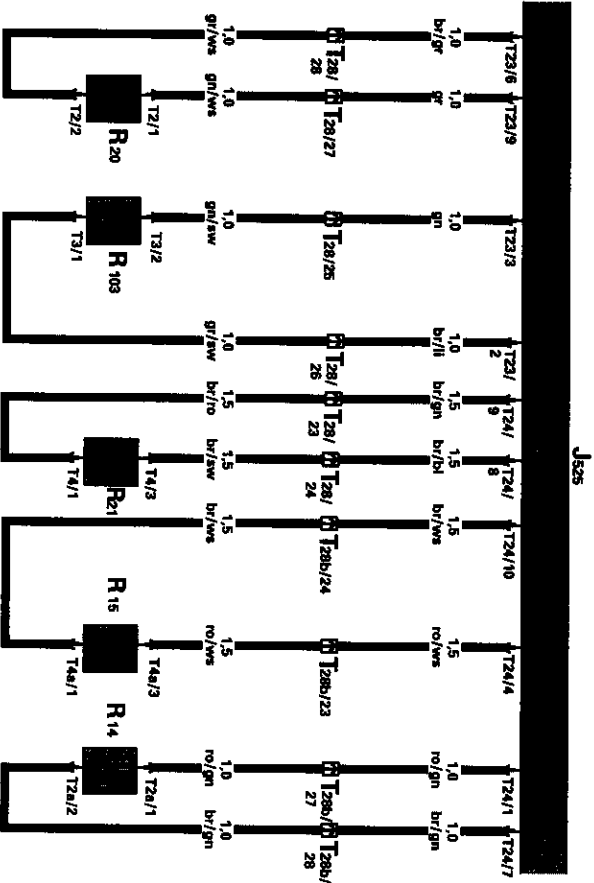
- J519 - Vehicle Electrical System Control Module
- J525 - Digital Sound System Control Module
- T23 - 23-Pin Connector
- T24 - 24-Pin Connector

- (45) - Ground connection, behind instrument panel, center
- (256) - Ground connection, -2-, in wiring harness radio
- (A23) - Wire connection (30a), in instrument panel wiring harness

ws = white
 sw = black
 fo = red
 br = brown
 gn = green
 bl = blue
 gr = grey
 ll = violet
 ge = yellow
 or = orange

Digital Sound System Control Module , Left Rear Treble Speaker, Left Rear Bass Speaker, Left Front Bass Speaker, Left Front Midrange Speaker

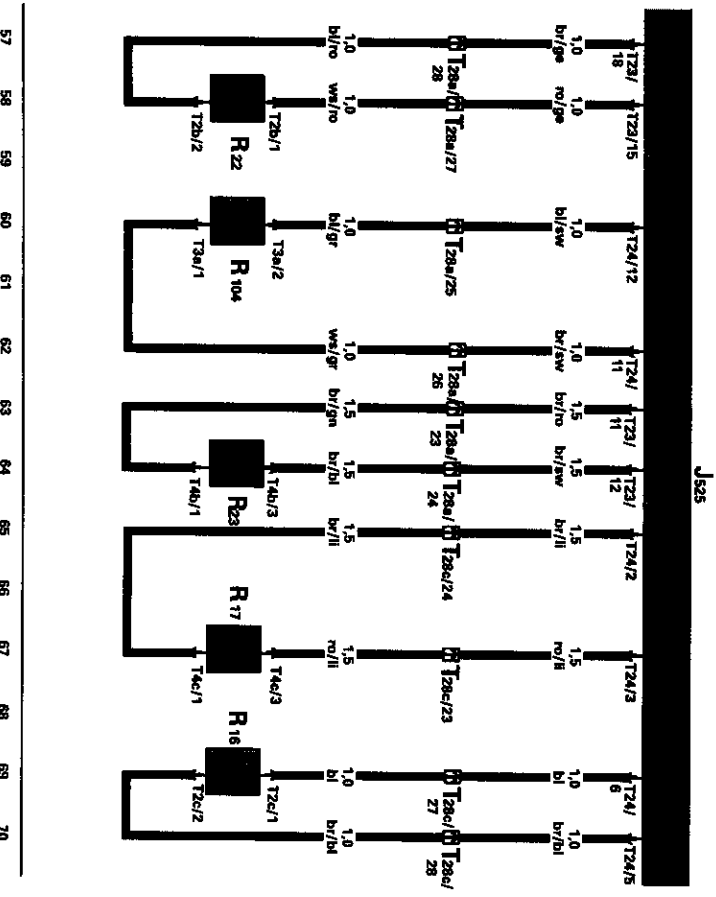
- J519 - Vehicle Electrical System Control Module
- J525 - Digital Sound System Control Module
- R14 - Left Rear Treble Speaker
- R15 - Left Rear Bass Speaker
- R20 - Left Front Treble Speaker
- R21 - Left Front Bass Speaker
- R103 - Left Front Midrange Speaker
- T2 - Double Connector
- T2a - Double Connector
- T3 - 3-Pin Connector
- T4 - 4-Pin Connector
- T4a - 4-Pin Connector
- T23 - 23-Pin Connector
- T24 - 24-Pin Connector
- T28 - 28-Pin Connector
- T28b - 28-Pin Connector



ws = white
 sw = black
 ro = red
 br = brown
 gn = green
 bl = blue
 gr = grey
 ll = violet
 ge = yellow
 or = orange

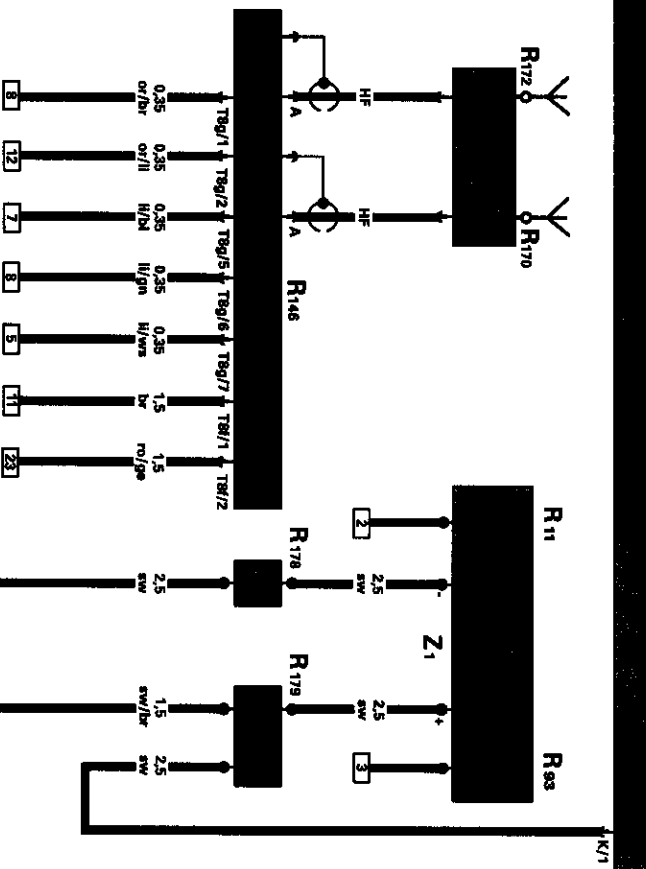
Digital Sound System Control Module , Right Rear Treble Speaker, Right Rear Bass Speaker, Right Front Treble Speaker, Right Front Midrange Speaker

- J519 - Vehicle Electrical System Control Module
- J525 - Digital Sound System Control Module
- R16 - Right Rear Treble Speaker
- R17 - Right Rear Bass Speaker
- R22 - Right Front Treble Speaker
- R23 - Right Front Bass Speaker
- R104 - Right Front Midrange Speaker
- T2b - Double Connector
- T2c - Double Connector
- T3a - 3-Pin Connector
- T4b - 4-Pin Connector
- T4c - 4-Pin Connector
- T23 - 23-Pin Connector
- T24 - 24-Pin Connector
- T28a - 28-Pin Connector
- T28c - 28-Pin Connector



ws = white
 sw = black
 ro = red
 br = brown
 gn = green
 bl = blue
 gr = grey
 ll = violet
 ge = yellow
 or = orange

Rear Window Defogger Relay, Vehicle Electrical System Control Module, Antenna, Radio Antenna 2, Satellite Antenna, Satellite Tuner Antenna, FM Frequency Filter (in negative wire), FM Frequency Filter (in positive wire), Heated rear window



- J9 - Rear Window Defogger Relay
- J519 - Vehicle Electrical System Control Module
- R11 - Antenna
- R93 - Radio Antenna 2
- R146 - Satellite Radio
- R170 - Satellite Antenna
- R172 - Satellite Tuner Antenna
- R178 - FM Frequency Filter (in negative wire)
- R179 - FM Frequency Filter (in positive wire)
- T8f - 8-Pin Connector on R146
- T8g - 8-Pin Connector on R146
- Z1 - Heated rear window
- 51 - Ground Connection, in luggage compartment, right
- 61 - Ground Connection (on left C-pillar)

ws = white
 sw = black
 ro = red
 br = brown
 gn = green
 bl = blue
 gr = grey
 ll = violet
 ge = yellow
 or = orange